



SPECIFICATIONS

IEEE 802.11 a/b/g/n/ac

2T2R WLAN+ Bluetooth 5.0 SDIO/UART Interface

TL8822CS V1.0

深圳市创凌智联科技有限公司

工厂地址：深圳市宝安区固戍三围华丰第一科技园 A 区石街B 栋厂房二楼

联系方式：0755-88828355/8322450

公司网站：www.trolink.cn

联系邮箱：frankai@trolink.cn

CONTENTS

1.Change History of Revision.....	3
2. General Description	4
3. Features.....	5
4. General Specification.....	7
5. Block Diagram.....	8
6.Power Supply DC Characteristics.....	9
7.Electrical Specifications.....	9
8.Bluetooth Specification.....	11
9.Pin Definition.....	11
10.Size reference.....	14
11.SDIO interface Circuit reference pictures.....	15
12.WIFI\BT RF Circuit reference pictures.....	15
13.Recommended Reflow Profile.....	16
14.Package Information.....	17

1. General Description

The RTL8822CS-GG is a highly integrated single-chip that support 2-stream 802.11ac solutions with Multi-user MIMO (Multiple-input, Multiple-Output) with integrated Bluetooth 2.1/3.0/4.2/5.0 controller, SDIO (SDIO 1.1/2.0/3.0) interface, and HS-UART mixed interface. It combines a WLAN MAC, a 2T2R capable WLAN baseband, and RF in a single chip. The RTL8822CS-CG provides a complete solution for a high-performance integrated wireless and Bluetooth device.

The RTL8822CS-CG baseband implements Multi-user Multiple Input, Multiple Output (MUMIMO) Orthogonal Frequency Division Multiplexing (OFDM) with two transmit and two receive paths (2T2R). Features include two spatial stream transmissions, short Guard Interval (GI) of 400ns, spatial spreading, and support for variant channel bandwidth. Moreover, RTL8822CS-CG provides one spatial stream space-time block code (STBC), Transmit Beamforming (TxBF) and Low Density Parity Check (LDPC) to extend the range of transmission. At the receiver, extended range and good minimum sensitivity is achieved by having receiver diversity up to 2 antennas. As the recipient, the RTL8822CS-CG also supports explicit sounding packet feedback that helps senders with beamforming capability.

For legacy compatibility, Direct Sequence Spread Spectrum (DSSS), Complementary Code Keying (CCK) and OFDM baseband processing are included to support all IEEE 802.11b, 802.11g and 802.11a data rates. Differential phase shift keying modulation schemes, DBPSK and DQPSK with data scrambling capability are available, and CCK provides support for Legacy data rates, with long or short preamble. The high speed FFT/IFFT paths, combined with BPSK, QPSK, 16QAM, 64QAM and 256QAM modulation of the individual subcarriers, and rate compatible coding rate of 1/2, 2/3, 3/4, and 5/6, provide up to 866.7Mbps for IEEE 802.11ac MIMO OFDM.

The RTL8822CS-CG builds in an enhanced signal detector, an adaptive frequency domain equalizer, and a soft-decision Viterbi decoder to alleviate severe multi-path effects and mutual interference in the reception of multiple streams. For better detection quality, receive diversity with Maximal-Ratio-Combine (MRC) applying up to two receive paths is implemented. Robust interference detection and suppression are provided to protect against Bluetooth, cordless phone, and microwave oven interference.

Receive vector diversity for multi-stream application is implemented for efficient utilization of the MIMO channel. Efficient IQ-imbalance, DC offset, phase noise, frequency offset, and timing offset compensations are provided for the radio frequency front-end.

The RTL8822CS-CG supports fast receiver Automatic Gain Control (AGC) with synchronous and asynchronous control loops among antennas, antenna diversity functions, and adaptive transmit power control functions to obtain better performance in the analog portions of the transceiver

The RTL8822CS-CG MAC supports 802.11e for multimedia applications, 802.11i and WAPI (Wireless Authentication Privacy Infrastructure) for security, and 802.11n/802.11ac for enhanced MAC protocol efficiency. Using packet aggregation techniques such as A-MPDU with BAA-MSDU, protocol efficiency is significantly improved. Power saving mechanisms such as Legacy Power Save, U-APSD, and MIMO power saving reduce the power wasted during idle time, and compensate for the extra power required to transmit MIMO OFDM. The RTL8822CS-CG provides simple legacy, 20MHz/40MHz/80MHz co-existence mechanisms to ensure backward and network compatibility.

2. Features

General

<ul style="list-style-type: none"> • CMOS MAC, Baseband PHY and RF in a single chip for IEEE 802.11a/b/g/n/ac compatible WLAN • Support 802.11ac 2x2, Wave-2 compliant with MU-MIMO • Complete 802.11n MIMO solution for 2.4GHz and 5GHz band 	<ul style="list-style-type: none"> • Maximum PHY data rate up to 173.3 Mbps using 20MHz bandwidth, 400Mbps using 40MHz bandwidth, and 866.7Mbps using 80MHz bandwidth. • Backward compatible with 802.11a/b/g devices while operating at 802.11n data rates • Backward compatible with 802.11a/n devices while operating at 802.11ac data rates.
<p>host Interface</p> <ul style="list-style-type: none"> • Complies with SDIO 1.1/2.0/3.0 for WLAN with clock rate up to 208MHz 	<ul style="list-style-type: none"> • Complies with HS-UART with configurable baud rate for Bluetooth

<p>Standards supported</p> <ul style="list-style-type: none"> • IEEE 802.11a/b/g/n/ac compatible WLAN • IEEE 802.11e QoS Enhancement (WMM) • IEEE 802.11i (WPA, WPA2). Open, shared key, and pair-wise key authentication services • IEEE 802.11h DFS, TPC, Spectrum Measurement 	<ul style="list-style-type: none"> • IEEE 802.11 k Radio Resource Measurement • WAPI (Wireless Authentication Privacy Infrastructure) certified.
<p>MAC Features</p> <ul style="list-style-type: none"> • Frame aggregation for increased MAC efficiency (A-MSDU, A-MPDU) • Low latency immediate Block Acknowledgement (BA) • Long NAV for media reservation with CF-End for NAV release • Multiple BSSID feature allows the RTL8822CS-CG to assume multiple MAC identities when used as a wireless bridge 	<ul style="list-style-type: none"> • PHY-level spoofing to enhance legacy compatibility • MIMO power saving mechanism • Channel management and co-existence • Transmit Opportunity (TXOP) Short Inter-Frame Space (SIFS) bursting for higher multimedia bandwidth
<p>Other Features</p> <ul style="list-style-type: none"> • supports Wake-On-WLAN via Magic Packet and Wake-up frame • Transmit Beam forming 	<ul style="list-style-type: none"> • CCA on secondary through RTS/CTS handshake. • Support TCB/UDP/IP checksum offload
<p>Peripheral Interfaces</p> <ul style="list-style-type: none"> • Up to 15 General Purpose Input/Output pins • Two configurable LED pins (mux with GPIO pins) 	<ul style="list-style-type: none"> • Generates 40MHz clock for peripheral chip. • Single external power source 3.3V only
<p>PHY Features</p> <ul style="list-style-type: none"> • IEEE 802.11ac MIMO OFDM • IEEE 802.11n MIMO OFDM • Two Transmit and Two Receive paths • 5MHz/10MHz/20MHz/40MHz/80MHz band width transmission • Support 2.4GHz and 5GHz band channels • Short Guard Interval (400ns) • Sounding packet. • DSSS with DBPSK and DQPSK, CCK modulation with long and short preamble • OFDM with BPSK, QPSK, 16QAM, 64QAM and 256QAM modulation. Convolutional Coding Rate: 1/2, 2/3, 3/4, and 5/6 	<ul style="list-style-type: none"> • Maximum data rate 54Mbps in 802.11g, 300Mbps in 802.11n and 866.7Mbps in 802.11ac. • OFDM receive diversity with MRC using up to 2 receive paths. Switch diversity used for DSSS/CCK • Support STBC • Support LDPC • Hardware antenna diversity • Fast receiver Automatic Gain Control (AGC) • On-chip ADC and DAC • Build-in both 2.4GHz and 5GHz PA • Build-in both 2.4GHz and 5GHz LNA

<p>Bluetooth controller</p> <ul style="list-style-type: none"> • Support Bluetooth 5.0 system • Support Bluetooth 4.1 features • Support Bluetooth 4.2 LE Secure Connection by upper layer software upgrade • HS-UART interface for Bluetooth data transmission compliant with H4 and HS specification • PCM interface for audio data transmission via Bluetooth controller • Integrated MCU to execute Bluetooth protocol stack • Supports all packet types in basic rate and enhanced data rate <p>Bluetooth Transceiver</p> <ul style="list-style-type: none"> • Fast AGC control to improve receiving dynamic range • supports AFH to dynamically detect channel quality to improve transmission quality • Integrated internal Class 1, Class 2, and Class 3 PA 	<ul style="list-style-type: none"> • Supports SCO/eSCO link (allows one link for PCM interface and three links for HS-UART) • Supports piconets in a scatternet • Supports Secure Simple Pairing • Supports Low Power Mode (Sniff/Sniff Sub-rating) • Enhanced BT/WLAN Coexistence Control to improve transmission quality in different profiles • Bluetooth 4.0 Dual Mode support: Simultaneous LE and BR/EDR • Supports multiple Low Energy states • Supports Enhanced Power Control • Supports Bluetooth Low Energy • Integrated 32K oscillator for power management
<p>Peripheral Interfaces</p> <ul style="list-style-type: none"> • General Purpose Input/Output (8 pins) 	<ul style="list-style-type: none"> • Flexible CRYSTAL frequency selection(52, 48, 40, 38.4, 27, 26, 25, 24, 20, 19.2, 17.664,16,14.318, 13 and 12MHz) • Support CRYSTAL or external clock input

3. General Specification

Model	TL8822CS
Product Name	WLAN 1 la/b/g/n/ac SDIO module
Major Chipset	RTL8822CS
Standard	WIFI: IEEE802.11a/b/g/n/ac BT: 2.1/3.0/4.1/5.0
Data Transfer Rate	1,2,5.5,6,11,12,18,22,24,30,36,48,54,60,90,120 and maximum of 433Mbps
Modulation Method	DSSS,DQPSK,CCK,OFDM,BPSK,QPSK,16QAM,64QAM,256QAM
Frequency Band	2.4GHz /5 GHz +BT
OS Support	Windows 2000,XP32-64,Vista 32/64,Win7 32/64,Linux, Android
Bus Interface	WiFi: SDIO 1.1/2.0/3.0 BT:UART

Operating Channel	WiFi 2.4GHz: United States : 11: (Ch. 1-11); Europe : 13: (Ch. 1-13) ; Japan : 14: (Ch. 1-14) BT 2.4GHz: Ch. 0 ~ 78 5G: Ch 36~172
Power Consumption	3.3V ± 0.2V I/O supply voltage
Operating Temperature	-20~+85°C ambient temperature
Storage Temperature	-40~+125°C ambient temperature
Humidity	5 to 90 % maximum (non-condensing)
Dimension	15.0×13.0 ×2.1 mm (L×W×H) ±0.15MM

4. Block Diagram

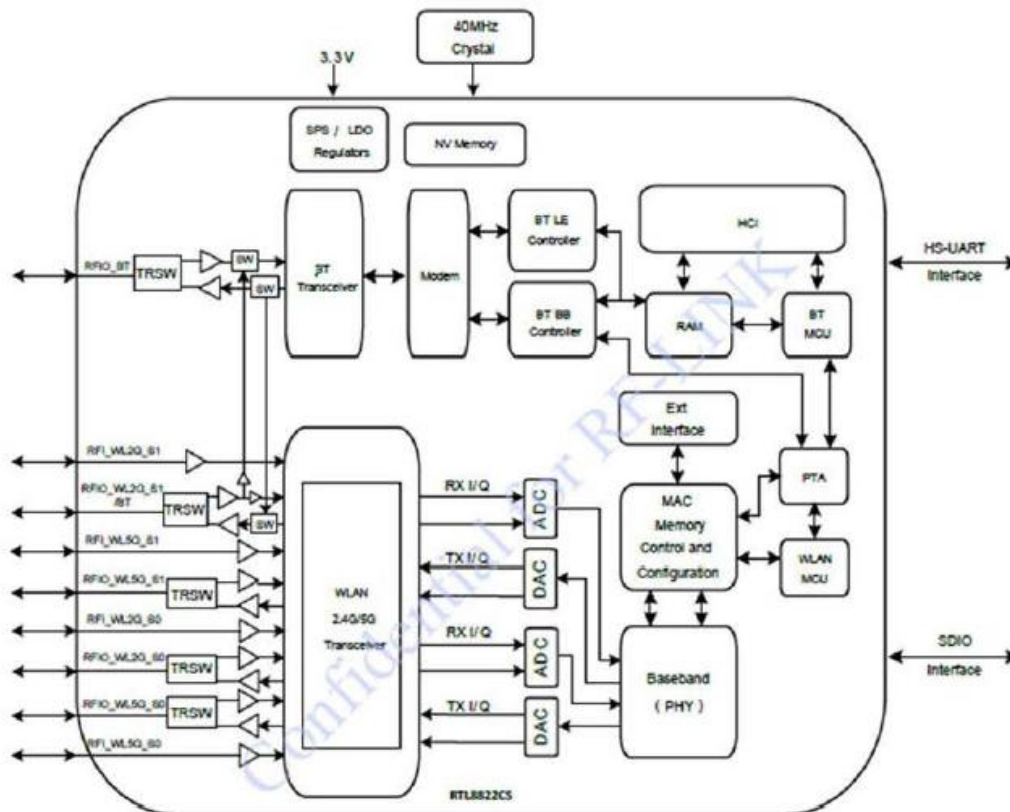


Figure 1. Dual-Band MIMO 2x2 Solution(11ac 2x2 MAC/BB/RF + PA) and Integrated Bluetooth Controller Solution — RTL8822CS-CG

5. Power Supply DC Characteristics

Symbol	PERFORMANCE			
	MIN	TYP	MAX	Unit
VDD33	3.10	3.3	3.50	V
VDDIO	1.8	1.8or3.3	3.50	V

6. Electrical Specifications

RF Characteristics for IEEE802.11b (11Mbps mode unless otherwise specified)

Items	Contents
Specification	IEEE802.11b
Channel frequency	2412~2484 MHz
RX (per \leq - 76dBm@8%)	-76 dBm
Freq Err Limit	± 10 ppm
TX Characteristics	
Power Level (± 2 dBm)	16dBm
EVM(\leq - 15dB)	- 15dB

RF Characteristics for IEEE802.11g (54Mbps mode unless otherwise specified)

Items	Contents
Specification	IEEE802.11g
Channel frequency	2412 ~ 2484 MHz
RX (per \leq - 68dBm@10%)	-68 dBm
Freq Err Limit	± 10 ppm
TX Characteristics	
Power Level (± 2 dBm)	14 dBm
EVM(\leq - 25dB)	25dB

RF Characteristics for IEEE802.11n(BW20_MCS7)

Items	Contents
Specification	IEEE802.11g
Channel frequency	2412 ~ 2484 MHz
RX (per \leq - 66dBm@10%)	-66 dBm
Freq Err Limit	± 10 ppm
TX Characteristics	
Power Level (± 2 dBm)	13dBm
EVM(\leq - 28dB)	28dB

RF Characteristics for IEEE802 .11 n(BW40_MCS7)

Items	Contents
Specification	IEEE802. 11g
Channel frequency	2412 ~ 2484 MHz
RX (per \leq - 64dBm@10%)	-64 dBm
Freq Err Limit	\pm 10ppm
TX Characteristics	
Power Level (\pm 2 dBm)	13dBm
EVM(\leq - 28dB)	28dB

RF Characteristics for IEEE802 .11 a(54Mbps)

Items	Contents
Specification	IEEE802. 11a(54Mbps)
Channel frequency	4.9GHz~ 5.8GHz
RX (per \leq - 64dBm@10%)	-64 dBm
Freq Err Limit	\pm 10ppm
TX Characteristics	
Power Level (\pm 2 dBm)	14dBm
EVM(\leq - 28dB)	28dB

RF Characteristics for IEEE802 .11 n(BW20_MCS7)

Items	Contents
Specification	IEEE802. 11n (BW20_MCS7)
Channel frequency	4.9GHz~ 5.8GHz
RX (per \leq - 64dBm@10%)	-64 dBm
Freq Err Limit	\pm 10ppm
TX Characteristics	
Power Level (\pm 2 dBm)	14dBm
EVM(\leq - 28dB)	28dB

RF Characteristics for IEEE802 .11 n(BW40_MCS7)

Items	Contents
Specification	IEEE802. 11n (BW40_MCS7)
Channel frequency	4.9GHz~ 5.8GHz
RX (per \leq - 64dBm@10%)	-64 dBm
Freq Err Limit	\pm 10ppm
TX Characteristics	
Power Level (\pm 2 dBm)	14dBm
EVM(\leq - 28dB)	28dB

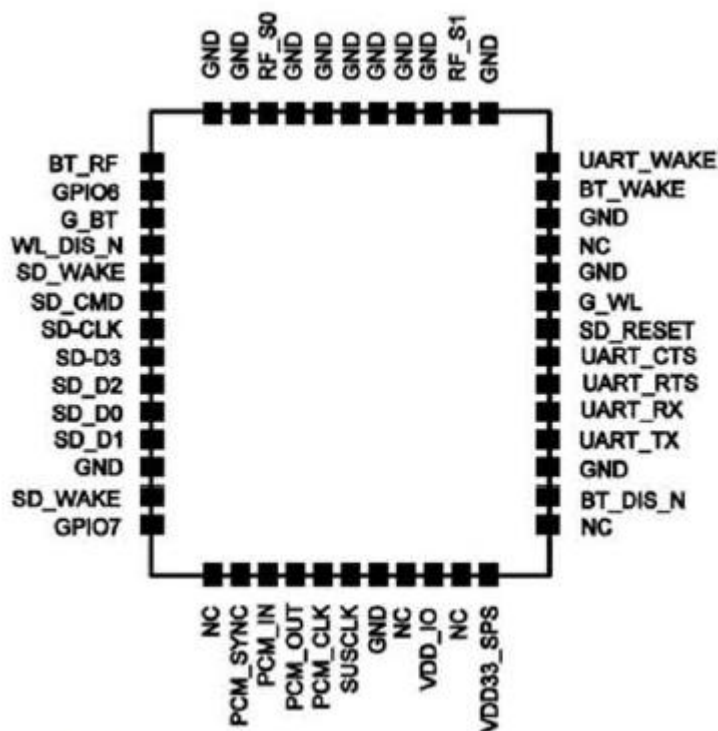
RF Characteristics for IEEE802.11AC(BW80_MCS9)

Items	Contents
Specification	IEEE802.11n (BW40_MCS7)
Channel frequency	4.9GHz~ 5.8GHz
RX (per ≤ -54 dBm@10%)	-54 dBm
Freq Err Limit	± 10 ppm
TX Characteristics	
Power Level (± 2 dBm)	13dBm
EVM(≤ -32 dB)	32dB

7. Bluetooth Specification

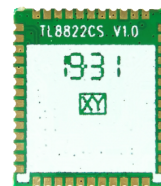
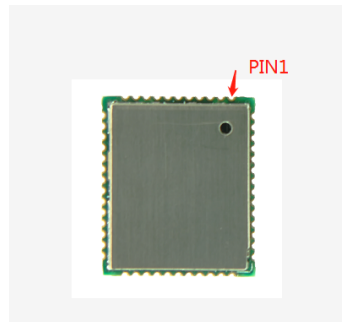
Feature	Description
General Specification	
Bluetooth Standard	Bluetooth V4.1 of 1, 2 and 3 Mbps
Host Interface	UART
Antenna Reference	Small antennas with 0, -1, 2 dBi peak gain
Frequency Band	2400 GHz ~ 2483.5 GHz
Number of Channels	79 channels
Modulation	FHSS, GFSK, DPSK, DQPSK
RF Specification	
Output Power (Class 1.5)	10
Output Power (Class 2)	2
Sensitivity @ BER = 0.1% for GFSK (1Mbps)	-92
Sensitivity @ BER = 0.01% for $\pi/4$ -DQPSK (2Mbps)	-92
Sensitivity @ BER = 0.01% for 8DPSK (3Mbps)	-85
Maximum Input Level	GFSK (1Mbps): -20dBm
	$\pi/4$ -DQPSK (2Mbps) : -20dBm
	8DPSK (3Mbps) : -20dBm

8. Pin Definition



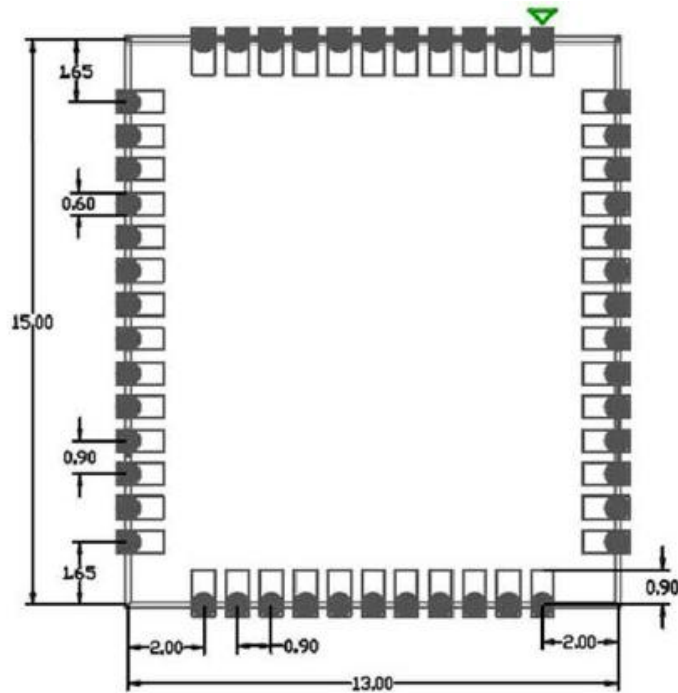
Pin	Function	Description	Voltage	
1	GND	Grow1d connections		
2	RF_S1	ANT 1		
3~8	GND	Ground connections		
9	RT_S0	ANT 0		
10.11	GND	Ground connections		
12	BTRF	BT ANT		
13	GPJ06	General Purpose Input/ Output Pin		
14	G_BT	General Purpose Input/ Output Pin		
15	WL_DIS_N	RF on-off		
16	SD_WAKE	WLAN to wake-up HOST	VDDIO	
17	SD_CMD	SDIO Command Input	VDDIO	
18	SD_CLK	SDIO Clock Input	VDDIO	
19	SD_D3	SOJO Data Line 3	VDDIO	
20	SD_D2	SOJO Data Line 2	VDDIO	
21	SD_D0	SDIO Data Line 0	VDDIO	
22	SD_D1	SDIO Data Line 1	VDDIO	
23	GND	Ground connections		
24	SD_WAKE	WLAN to wake-up HOST	VDDIO	
25	GPIO7	General Purpose Input/Output Pin		
26	NC	NC		
27	PCM_SYNC	PCM Synchronization control, shared with GPIO2	VDDIO	
28	PCM_IN	PCM data Input, shared with GPIO0	VDDIO	

29	PCM_OUT	PCM data Out, shared with GPIOI	VDDIO	
30	PCM_CLK	PCM Clock, shared with GPIO3	VDDIO	
31	SUSCLK	External Low Power Clock input(32.768KHz)		
32	GND	Ground connections		
33	NC	NC		
34	VDD_IO	VDDIO 1.8V or 3.3 V		
35	NC	NC		
36	VD33_SPS	3.3V		
37	NC	NC		
38	BT_DIS_N	Enable pin for Bluetooth device ON pull high , OFF: pull low		
39	GND	Ground connections		
40	UART_TX	High-Speed UART Data Out	VDDIO	
41	UART_RX	High-Speed UART Data In	VDDIO	
42	UART_RTS	High-Speed UART RTS	VDDIO	
43	UART_CTS	High-Speed UART CTS	VDDIO	
44	SD_RESET	RESET SDIO BUS REST	VDDIO	
45	G_WL	General Purpose Input/ Output Pin		
46	GND	Ground connections		
47	NC	NC		
48	GND	Ground connections		
49	BT_WAKE	Host wake-up Bluetooth device	VDDIO	
50	UART_WAKE	Bluetooth device to wake Host	VDDIO	



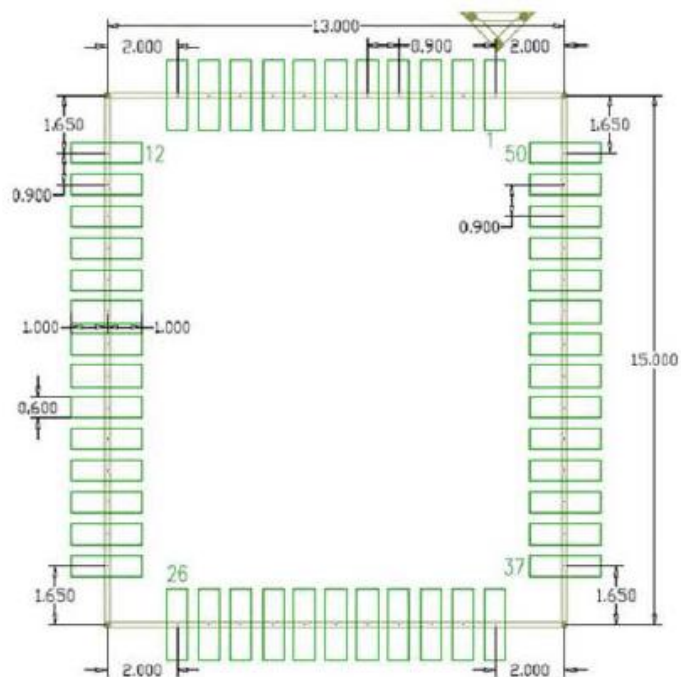
9. Size reference

Dimensions (mm)	Length	Width	Height
	15.0 (Tolerance : $\pm 0.2\text{mm}$)	13.0 (Tolerance : $\pm 0.2\text{mm}$)	2.10 (Tolerance: $\pm 0.2\text{mm}$)

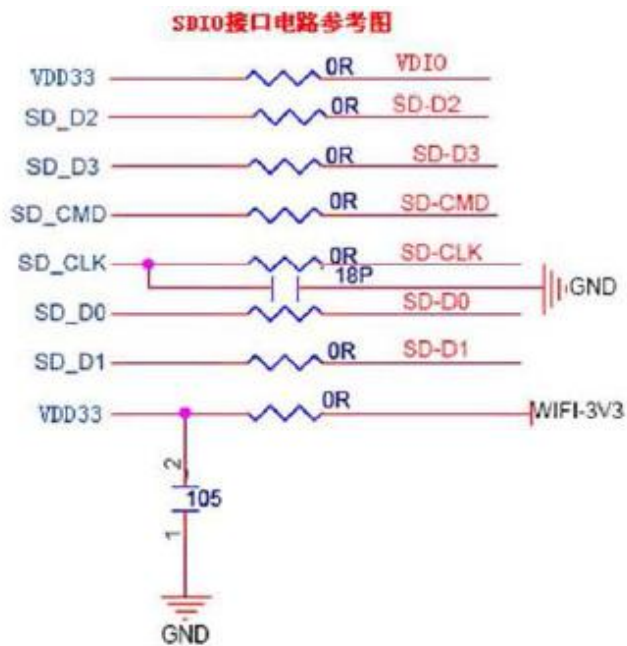


The PCB tolerances within + / -0.2 or so

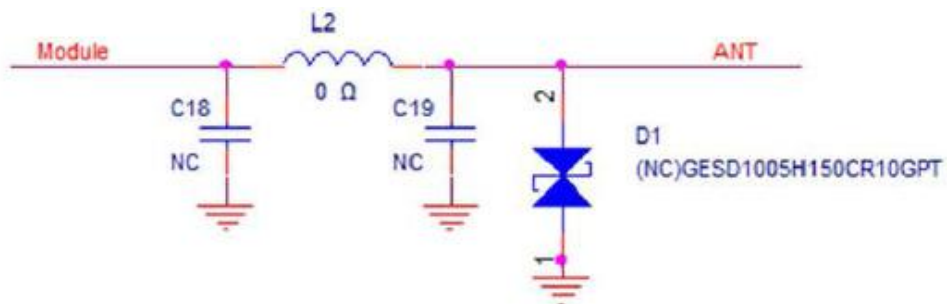
Layout Recommendation



10. SDIO interface Circuit reference pictures



11. WIFI/BT RF Circuit reference pictures



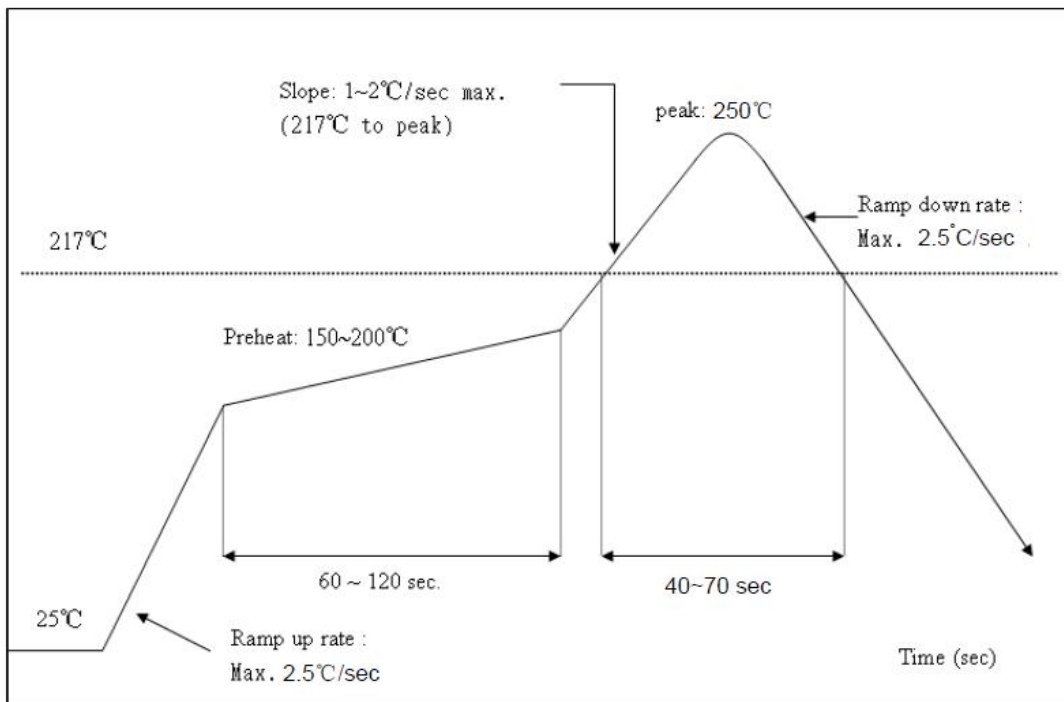
1. Above the dotted box part of the 基础return matching is needed, the actual antenna matching electronic parameters shall prevail.
2. For RF part layout to do 50 ohm impedance. can't go on 90 ° of layout .The line length can't more than 20 mm.

12. Recommended Reflow Profile

Referred to IPC/JEDEC standard.

Peak Temperature : <250°C

Number of Times : ≤2 times



ENVIRONMENTAL

Operating

Operating Temperature: 0°C to +70 °C
Relative Humidity: 5-90% (non-condensing)

Storage

Temperature: -40°C to +125°C (non-operating)
Relevant Humidity: 5-95% (non-condensing)

13. RoHS compliance.

This product is RoHS compliance.

14.Package Information

the take-up package



Using self-adhesive tape

Size of black tape:24mm*32.6m the cover tape :2.13mmm*32.6m

Color of plastic disc:blue

A roll of 2000pcs

